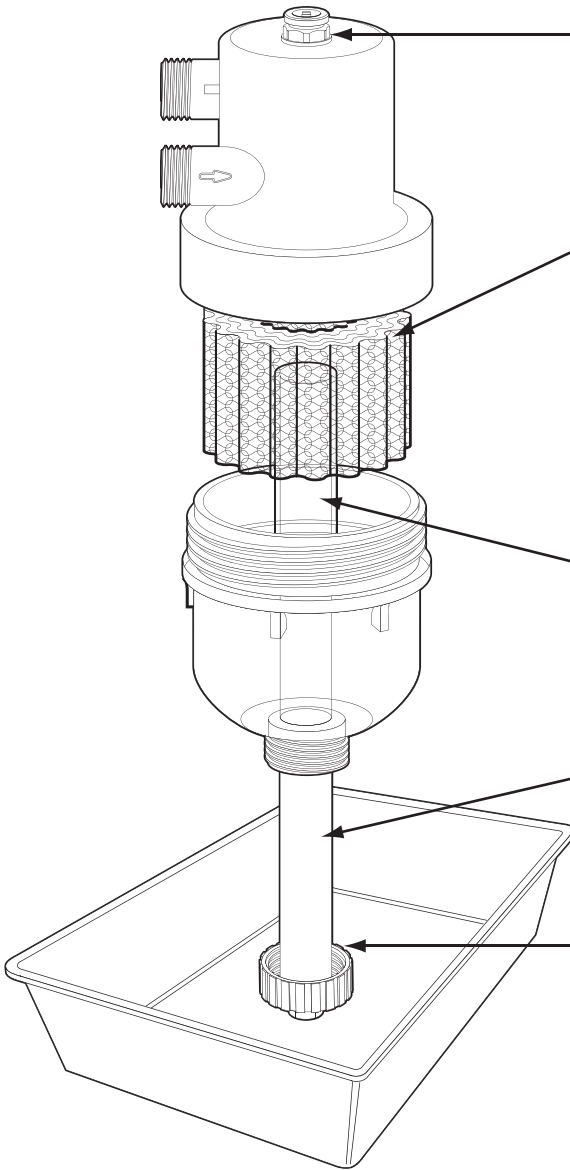


Advancing *MagnaClean*® technology



A. Pro-Fill air vent

Our unique one way valve makes chemical dosing simple.

B. Wire gauze

ADEY's new wire gauze designed for *MagnaClean TwinTech* collects not only magnetic particles but all non-magnetic particles simultaneously.

C. Sheath

The integral sheath retains the magnet core for easy servicing.

D. Magnet

Collects virtually 100% of suspended black iron oxide.

E. Tray

Servicing *MagnaClean TwinTech* is now even easier with the new drip tray provided with every product.



PROFESSIONAL HEATING SOLUTIONS